

**Cooling Products**

General Information.....5  
 General Selection Considerations.....5  
 Sizing an Air Conditioner.....6  
 General Specifications for Air Conditioners.....7



Side Mounting DTS Series Air Conditioners  
 1200 BTU/H.....8



Side Mounting DTS Series Air Conditioners  
 2000 BTU/H.....9



Side Mounting DTI Series Air Conditioners  
 2500 BTU/H.....10



Side Mounting DTS Series Air Conditioners  
 3500 BTU/H.....11



Side Mounting DTS Series Air Conditioners  
 4000, 7500 BTU/H.....12



Side Mounting DTS Series Air Conditioners  
 8000, 12000 BTU/H.....14



Side Mounting DTS Series Air Conditioners  
 1600 BTU/H.....16



Top Mounting DTT Series Air Conditioners  
 4500 BTU/H.....17

Air Conditioner Accessories .....18



Side Mounting DTS Series - Stainless Steel 4x  
 2000 BTU/H.....19



Side Mounting DTS Series - Light Grey 3R  
 4000, 7500 BTU/H.....20



Side Mounting DTS Series - Stainless Steel 4x  
 4000, 7500 BTU/H.....22

# Cooling Products

## General Specifications for All Air Conditioners

<b>Construction:</b>	Outer shell of sheet steel.
<b>Closed Loop Cooling:</b>	Ambient outside air is never mixed with clean dry enclosure air.
<b>Operating Temperature:</b>	Minimum +46 F (+8 C) Maximum +125 F (52 C). Optional low ambient kit is available
<b>Gasketing:</b>	Is provided and/or installed on all units to maintain NEMA ratings specified.
<b>Templates:</b>	Provided on all units for easy layout of cutouts and mounting.
<b>Power:</b>	Available in 115 V 60 Hz, 110 V 50 Hz and 230 V, 460 50/60Hz 3 phase.
<b>Filter:</b>	Removable filter mat made from synthetic fibers are reusable and can be rinsed clean.
<b>Refrigerants:</b>	All models use environmentally friendly R134a.
<b>Fans:</b>	All blower motors are thermal protected and sealed with permanent lubricants.
<b>Condensate Disposal:</b>	Built in condensate evaporators are standard on most models. All units feature a condensate drain fitting complete with hose attachment.
<b>Insulation:</b>	Cold components, lines and evaporator compartment insulated for maximum efficiency and protection against condensation.
<b>Quality Assurance:</b>	Prior to charging, the refrigeration system is hermetically sealed with all joints brazed under protection gas atmosphere to exclude any internal scale. After a thorough leak test every unit undergoes safety and function checks, then is serialized and packed into sturdy boxes prior to shipment.
<b>Installation Manuals:</b>	Included with all models are detail drawings, mounting, schematic and wiring diagrams, a trouble shooting checklist and warranty information.

**Climate Control**

## Product Summary

### Side Mount Air Conditioners

Part No.	NEMA Protection	Rating BTU/H	Rated Voltage	Hz	Height	Width	Depth
DTS1200A115LG	12	1,200	115	60	13.00	14.76	7.48
DTS1200A230LG	12	1,200	230	50/60	13.00	14.76	7.48
DTS2000A115LG	12	2,000	115	60	17.52	12.40	10.04
DTS2000A230LG	12	2,000	230	50/60	17.52	12.40	10.04
DTS2000A115N4SS	4X	2,000	115	60	19.04	16.09	15.08
DTS2000A230N4SS	4X	2,000	230	60	19.04	16.09	15.08
DTI9031A115LG	12	2,500	115	60	22.12	12.20	13.90
DTI9031A230LG	12	2,500	230	50/60	22.12	12.20	13.90
DTS3500A115LG	12	3,500	115	60	36.00	15.35	7.87
DTS3500A230LG	12	3,500	230	50/60	36.00	15.35	7.87
DTS3141A115LG	12	4,000	115	60	29.46	15.55	9.38
DTS3161A115N3LG	3R/4	4,000	115	60	29.46	15.55	9.32
DTS3141A230LG	12	4,000	230	50/60	29.46	15.55	9.38
DTS3181A115N4SS	4X	4,000	115	60	29.46	15.55	9.32
DTS3161A230N3LG	3R/4	4,000	230	50/60	29.46	15.55	9.32
DTS3181A230N4SS	4X	4,000	230	50/60	29.46	15.55	9.32
DTS3241A115LG	12	7,500	115	60	47.61	15.55	10.65
DTS3261A115N3LG	3R/4	7,500	115	60	47.61	15.55	10.51
DTS3281A115N4SS	4X	7,500	115	60	47.61	15.55	10.51
DTS3141A230LG	12	7,500	230	50/60	47.61	15.55	10.65
DTS3261A230N3LG	3R/4	7,500	230	50/60	47.61	15.55	10.51
DTS3281A230N4SS	4X	7,500	230	50/60	47.61	15.55	10.51
DTS8000A115LG	12	8,000	115	60	53.15	15.63	10.63
DTS8000A230LG	12	8,000	230	50/60	53.15	15.63	10.63
DTS12000A115LG	12	12,000	115	60	53.15	15.63	10.63
DTS12000A230LG	12	12,000	230	50/60	53.15	15.63	10.63
DTS9841A460LG	12	16,000	460	60	60.98	19.09	14.17

A115 units can be operated 50 Hz at 110 V

### Top Mount Air Conditioners

Part No.	NEMA Protection	Rating BTU/H	Rated Voltage	Hz	Height	Width	Depth
DTT4500A115LG	12	4,500	115	60	15.94	23.62	15.35
DTT4500A230LG	12	4,500	230	50/60	15.94	23.62	15.35

A115 units can be operated 50 Hz at 110 V and A460 units can be operated at 50Hz at 380V.

Technical references and DXF downloads available at [www.hamfmfg.com](http://www.hamfmfg.com)

All dimensions in inches unless specified otherwise



## Side Mounting DTS Series 1200 BTU/H

### Description

- Designed for side mounting where hot spot cooling or low capacity cooling is required.
- Compact design uses minimal surface area.
- Closed loop cooling ensures air is recirculated without ever mixing with contaminated ambient air.

### Standards

- Maintains NEMA 12 rating
- IP 54
- UR, cUR and CE

### Features

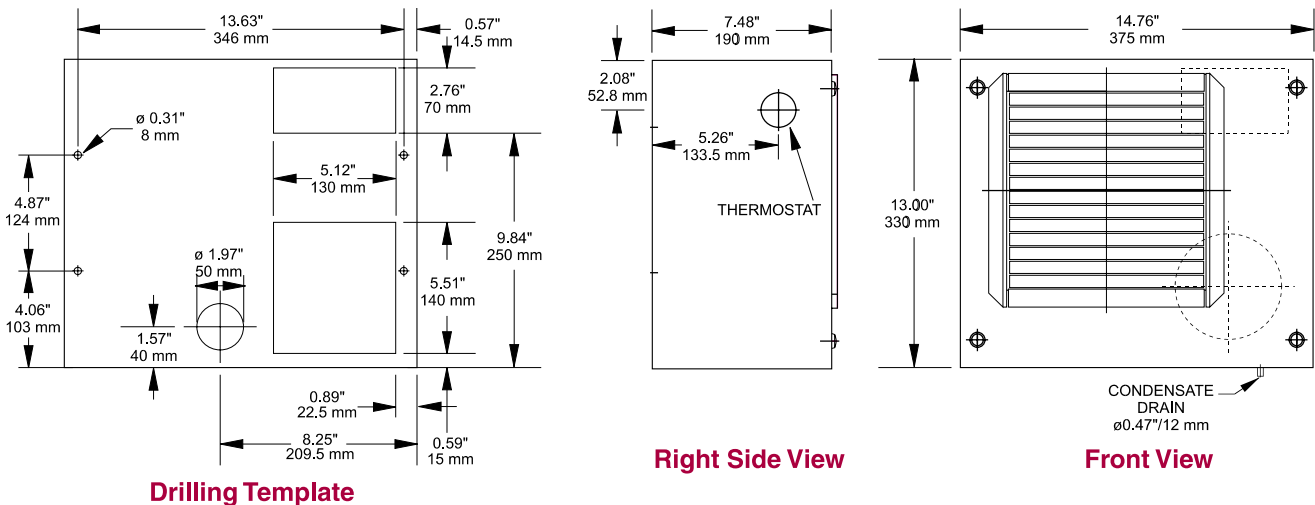
- R134a refrigerant.
- Thermostat control.
- Continuous air circulation from high capacity fans.

- EMI/RFI suppression meets CE.
- Line cord with plug (115 V).
- Washable filter mat protected within an easily removable grill.
- Gasket, mounting kit and template for enclosure cutout and drilling are included.
- Condensate drain hose and clamp provided.
- Exterior case easily removable for field service.
- Q Mount allows unit to hang in place for easy installation.

### Accessories

- Gaskets
- Replacement filters
- Replacement grill

Climate Control



Part Number	Ship Wt. lbs
DTS1200A115LG	42
DTS1200A230LG	42

### Technical Data

Electrical Data	DTS1200A115LG	DTS1200A230LG
Rated Voltage	115 V 60 Hz 110 V 50 Hz	230 V 50/60 Hz
Range of Operation	103-127 V	207-253 V
Power Consumption	200 W	200 W
Running Amps	2.2 A	1.3 A
Starting Current	15.7 A	9.5 A
Line Cord	With plug	Without plug

Refrigeration Data	
Rated Capacity	1,200 BTU/H (350 Watts)
Type of Refrigerant	R134a
Refrigerant Charge	280 g
Adjustable Thermostat	Factory setting +95°F (+35°C)
Max. Ambient Air Temp.	+125°F (+52°C)
Min. Ambient Air Temp.	+46°F (+8°C)
Air Capacity (unrestricted)	Internal Circulation 106 CFM External Circulation 230 CFM
Condensate Discharge	Direct via tube
Filter Mat	150 g/m <sup>2</sup>
Db Noise Level	≤ 62 dB(A)
Unit Weight	40 lbs (18 kg)
Exterior Case	Galvanized sheet steel
Finish	RAL7035 light grey finish
NEMA Rating	Enclosures IP 54/NEMA 12

# Side Mounting DTS Series

## 2000 BTU/H



### Description

- Compact design for side mounting on any enclosure surface where hot spot cooling or low capacity cooling is required.
- Closed loop cooling ensures clean enclosure air is recirculated without ever mixing with contaminated ambient air.

### Standards

- Maintains enclosure's NEMA 12 rating
- IP 54
- UR, cUR and CE

### Features

- R134a refrigerant.
- Thermostat control.
- Line cord with plug (115 V).
- Washable filter mat protected within

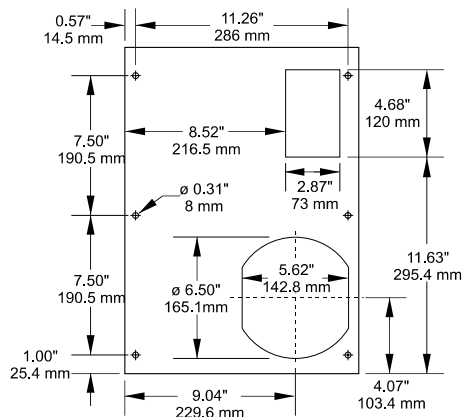
an easily removable grill.

- Expansion valve permits increased efficiency through improved evaporator heat transfer and less frequent compressor operation.
- Built in condensate evaporator.
- Continuous air circulation from high capacity fans.
- EMI/RFI suppression meets CE.
- Gasket, mounting kit and template for cutout and drilling are included.
- Condensate drain hose and clamp.
- Exterior case easily removable for field service.
- Q Mount allows unit to hang in place for easy installation.

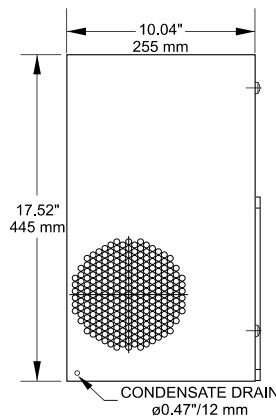
### Accessories

- Gaskets
- Replacement filters
- Replacement grill

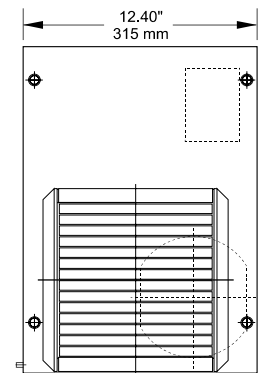
Climate Control



**Drilling Template**



**Left Side View**



**Front View**

Part Number	Ship Wt. lbs
DTS2000A115LG	54
DTS2000A230LG	54

### Technical Data

Electrical Data	DTS2000A115LG	DTS2000A230LG
Rated Voltage	115 V 60 Hz 110 V 50 Hz	230 V 50/60 Hz
Range of Operation	103-127 V	207-253 V
Power Consumption	270 W	230 W
Running Amps	2.9 A	1.3 A
Starting Current	13.8 A	7.4 A
Line Cord	With plug	Without plug

Refrigeration Data	
Rated Capacity	2,000 BTU/H (580 Watts)
Type of Refrigerant	R134a
Refrigerant Charge	300 g
Adjustable Thermostat	Factory setting +95°F (+35°C)
Max. Ambient Air Temp.	+125°F (+52°C)
Min. Ambient Air Temp.	+46°F (+8°C)
Air Capacity (unrestricted)	Internal Circulation 230 CFM External Circulation 230 CFM
Condensate Discharge	Condensate evaporator
Filter Mat	150 g/m <sup>2</sup>
Db Noise Level	≤ 62 dB(A)
Unit Weight	51 lbs (23 kg)
Exterior Case	Galvanized sheet steel
Finish	RAL7035 light grey finish
NEMA Rating	Enclosures IP 54/NEMA 12



## Side Mounting DTI Series 2500 BTU/H

### Description

- Compact design for side mounting on any enclosure surface where hot spot or low capacity cooling is required.
- Closed loop cooling ensures clean enclosure air is recirculated without ever mixing with contaminated ambient air.

### Standards

- Maintains enclosure's NEMA 12 rating
- IP 54
- UR, cUR and CE

### DTI Series Recessed Mount

- Partial recess into enclosure.
- Only 5.71" depth exposed on exterior.

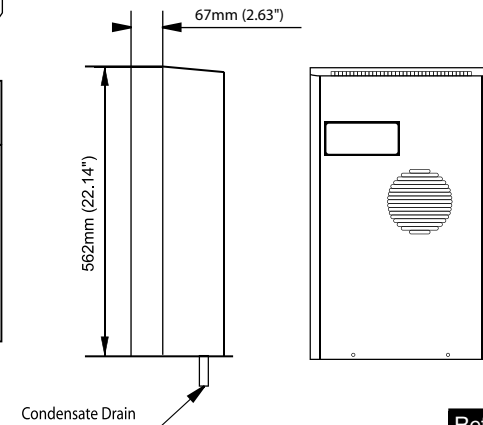
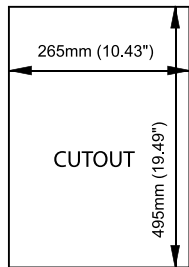
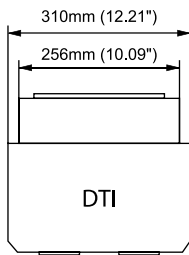
### Features

- R134a refrigerant.
- Thermostat control accessible from inside enclosure.
- Expansion valve increases efficiency with improved evaporator heat transfer and less frequent compressor operation.
- Direct condensate discharge via drain hose.
- Continuous air circulation from high capacity fans.
- EMI/RFI suppression meets CE.
- Self-diagnostics on startup.
- Fault indication via LED light.
- Door contact for power down when enclosure door is opened.
- Gasket, mounting kit and template for cutout and drilling are included.
- Condensate drain hose and clamp
- Partial recessed mounting
- Easy install with "Click & Fit" system

### Accessories

- Gaskets
- Lifting lugs
- Remote door switch

Climate Control



Part Number	Ship Wt. lbs
<b>DTI9031A115LG</b>	48
<b>DTI9031A230LG</b>	48

### Technical Data

Electrical Data	DTI9031A115LG	DTI9031A230LG
Rated Voltage	115v 60 Hz	230v 50/60 Hz
	110v 50 Hz	
Range of Operation	103-127v	207-253v
Power Consumption	322 W	337 W
Running Amps	3.29 A	1.6 A
Starting Current	26.1 A	14.3 A
Line Cord	Terminal Block	Terminal Block

### Refrigeration Data

Rated Capacity	2500 BTU/H (585 Watts)
Type of Refrigerant	R134a
Refrigerant Charge	250 g
Adjustable Set Points	Factory setting +95°F (+35°C)
Max. Ambient Air Temp.	+131°F (+55°C)
Min. Ambient Air Temp.	+59°F (+15°C)
Air Capacity (unrestricted)	Internal Circulation 182 CFM External Circulation 203 CFM
Condensate Discharge	Condensate Drain
Filter Mat	Filterless
Db Noise Level	≤ 64 dB(A)
Unit Weight	46 lbs (21 kg)
Exterior Case	Galvanized sheet steel
Finish	RAL7035 light grey finish
NEMA Rating	Enclosures IP 54/NEMA 12

# Side Mounting DTS Series

## 3500 BTU/H



### Description

- Compact design for side mounting on any enclosure surface where hot spot or low capacity cooling is required.
- Closed loop cooling ensures clean enclosure air is recirculated without ever mixing with contaminated ambient air.

### Standards

- Maintains enclosure's NEMA 12 rating
- IP 54
- UR, cUR and CE

### Features

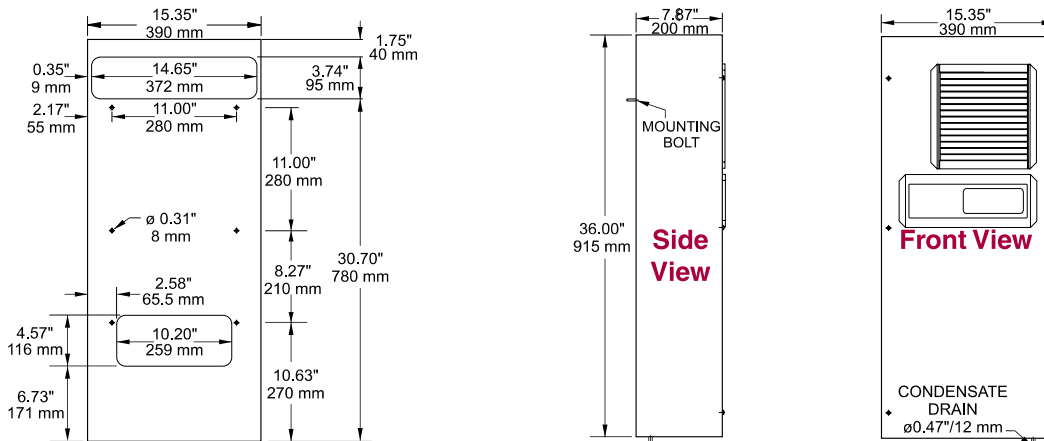
- R134a refrigerant.
- Thermostat control.
- Expansion valve increases efficiency with improved evaporator heat transfer and less frequent compressor operation.
- Built in condensate evaporator.

- Continuous air circulation from high capacity fans.
- EMI/RFI suppression meets CE.
- Line cord with plug (115 V).
- Self-diagnostics on startup.
- Fault indication via LED light.
- Door contact for power down when enclosure door is opened.
- Washable filter mat protected within an easily removable grill.
- Gasket, mounting kit and template for cutout and drilling are included.
- Condensate drain hose and clamp.
- Exterior case easily removable for resetting thermostat and field service.
- Q Mount allows unit to hang in place for easy installation.

### Accessories

- Gaskets
- Lifting lugs
- Remote door switch
- Replacement filters
- Replacement grill

Climate Control



### Drilling Template

Note: Any unmarked radius is  $\phi$  0.79"R

Part Number	Ship Wt. lbs
DTS3500A115LG	99
DTS3500A230LG	99

### Technical Data

Electrical Data	DTS3500A115LG	DTS3500A230LG
Rated Voltage	115 V 60 Hz	230 V 50/60 Hz
	110 V 50 Hz	
Range of Operation	103-127 V	207-253 V
Power Consumption	590 W	550 W
Running Amps	6.7 A	2.9 A
Starting Current	17.5 A	8.3 A
Line Cord	With plug	Without plug

Refrigeration Data	
Rated Capacity	3,500 BTU/H (1,014 Watts)
Type of Refrigerant	R134a
Refrigerant Charge	480 g
Adjustable Set Points	Factory setting +95°F (+35°C)
Max. Ambient Air Temp.	+125°F (+52°C)
Min. Ambient Air Temp.	+46°F (+8°C)
Air Capacity (unrestricted)	Internal Circulation 247 CFM External Circulation 341 CFM
Condensate Discharge	Condensate evaporator
Filter Mat	150 g
Db Noise Level	≤ 64 dB(A)
Unit Weight	94 lbs (43 kg)
Exterior Case	Galvanized sheet steel
Finish	RAL7035 light grey finish
NEMA Rating	Enclosures IP 54/NEMA 12

Technical references and DXF downloads available at [www.hammfg.com](http://www.hammfg.com)

All dimensions in inches unless specified otherwise

Quality Enclosures. Service Excellence.

# Side Mounting DTS Series

## 4000 & 7500 BTU/H



Climate Control



7500 BTU/H unit shown

### Description

- Designed for side mounting on any enclosure surface where high capacity system cooling is required.
- Closed loop cooling ensures clean enclosure air is recirculated without ever mixing with contaminated ambient air.
- Optimum air circulation with maximum clearance distance between warm inlet and cold outlet for reduced hot spot locations.

### Standards

- Maintains enclosure's NEMA 12 rating
- IP 54
- UR, cUR and CE

### Features

- R134a refrigerant.
- Thermostat control accessible from inside enclosure.
- Hot gas bypass valve prevents evaporator freeze up while minimizing heavy inrush currents on large BTU/H units.
- Built in condensate evaporator.
- Continuous air circulation from high capacity fans.
- EMI/RFI suppression meets CE.
- Self-diagnostics on startup.
- Fault indication via LED light.
- Provision for door contact allowing power down when enclosure door is opened.
- Gasket, mounting kit and template for enclosure cutout and drilling are included.
- Condensate drain hose and clamp provided.
- Q Mount allows unit to hang in place for easy installation.

### Accessories

- Gaskets
- Lifting lugs
- Remote door switch

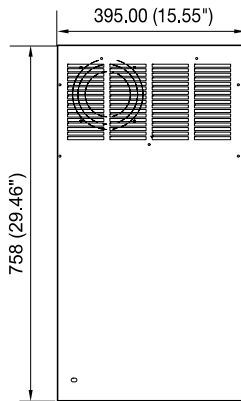
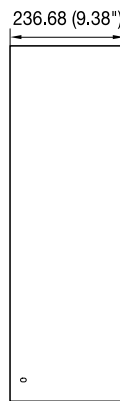
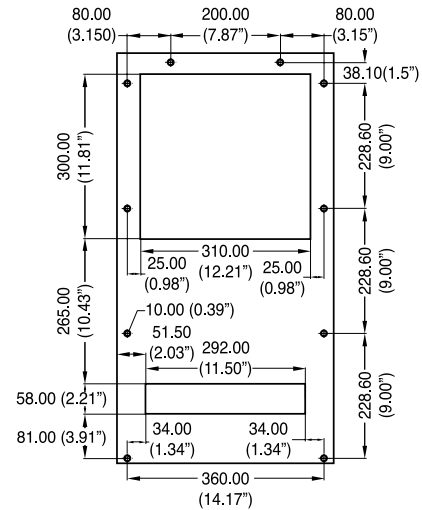
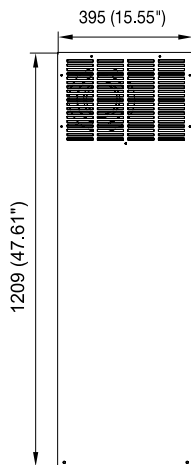
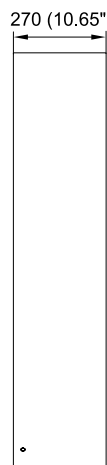
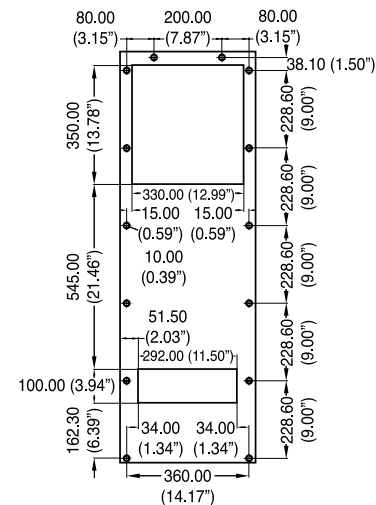
Part Number	Ship Wt. lbs.
DTS3141A115LG	99
DTS3141A230LG	99
DTS3241A115LG	127
DTS3241A230LG	127

### Technical Data

Electrical Data	DTS3141A115LG DTS3141A230LG	DTS3241A115LG DTS3241A230LG
Rated Voltage	115 V 60 Hz/ 230 V 50/60 Hz	115 V 60 Hz/ 230 V 50/60 Hz
Range of Operation	103-127 V/198-252 V	103-127 V/198-252 V
Power Consumption	950 W/860 W	1400 W/1400 W
Running Amps	7.2 A/4.0 A	14.6 A/6.3 A
Starting Current	17.1 A/9.3 A	26.8 A/16.5 A
Line Cord	Terminal Block	Terminal Block

# Side Mounting DTS Series

## 4000 & 7500 BTU/H

**Climate Control**
**DTS 3141**

**Front View**

**Side View**

**Drilling Template**
**DTS 3241**

**Front View**

**Side View**

**Drilling Template**

Refrigeration Data	DTS3141A115/ 230LG	DTS3241A115/ A230LG
Rated Capacity	4,000 BTU/H (1,172 Watts)	7,500 BTU/H (2,197 Watts)
Type of Refrigeration	R134a	R134a
Refrigerant Charge	500 g	500 g
Adjustable Set Points	Factory setting +95°F (+35°C)	Factory setting +95°F (+35°C)
Max. Ambient Air Temp.	+125°F (+52°C)	+125°F (+52°C)
Min. Ambient Air Temp.	+46°F (+8°C)	+46°F (+8°C)
Air Capacity (unrestricted)	Internal Circulation 350 CFM External Circulation 350 CFM	Internal Circulation 580 CFM External Circulation 580 CFM
Condensate Discharge	Condensate Evaporator	Condensate Evaporator
Filter Mat	Filterless	Filterless
Db Noise Level	≤ 70 dB(A)	≤ 73 dB(A)
Unit Weight	80 lbs (36 kg)	101 lbs (46 kg)
Exterior Case	Galvanized sheet steel	Galvanized sheet steel
Color	RAL7035 Light Grey powder finish	RAL7035 Light Grey powder finish
NEMA Rating	Enclosures IP 54/NEMA 12	Enclosures IP 54/NEMA 12

# Side Mounting DTS Series

## 8000 & 12000 BTU/H



Climate Control



### Description

- Designed for side mounting on any enclosure surface where high capacity system cooling is required.
- Closed loop cooling ensures clean enclosure air is recirculated without ever mixing with contaminated ambient air.
- Optimum air circulation with maximum clearance distance between warm inlet and cold outlet for reduced hot spot locations.

### Standards

- Maintains enclosure's NEMA 12 rating
- IP 54
- UR, cUR and CE

### Features

- R134a refrigerant.
- Thermostat control.
- Hot gas bypass valve prevents evaporator freeze up while minimizing heavy inrush currents on large BTU/H units.
- Built in condensate evaporator.
- Continuous air circulation from high capacity fans.
- EMI/RFI suppression meets CE.
- Self-diagnostics on startup.
- Fault indication via LED light.
- Provision for door contact allowing power down when enclosure door is opened.
- Gasket, mounting kit and template for enclosure cutout and drilling are included.
- Washable filtermat protected within an easily removable grill.
- Condensate drain hose and clamp provided.
- Q Mount allows unit to hang in place for easy installation.
- Versatile design maintains foot print for larger capacity units if required.

### Accessories

- Gaskets
- Lifting lugs
- Remote door switch
- Replacement filters
- Replacement grill

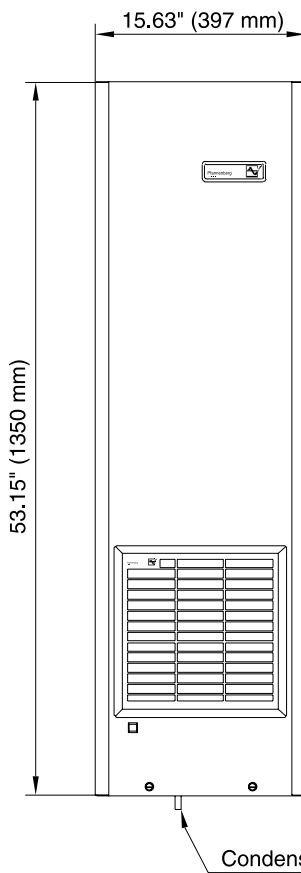
Part Number	Ship Wt. lbs.
<b>DTS8000A115LG</b>	189
<b>DTS8000A230LG</b>	189
<b>DTS12000A115LG</b>	189
<b>DTS12000A230LG</b>	189

### Technical Data

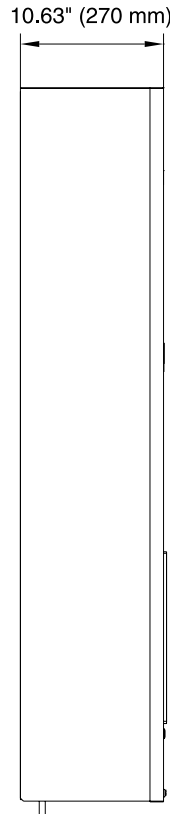
Electrical Data	DTS8000A115LG DTS8000A230LG	DTS12000A115LG DTS12000A230LG
Rated Voltage	115 V 60 Hz/ 230 V 50/60 Hz	115 V 60 Hz/ 230 V 50/60 Hz
Range of Operation	103-127 V/187-253 V	103-127 V/187-253 V
Power Consumption	2,100 W/1,800 W	2,300 W/2,000 W
Running Amps	21.0 A/12.5 A	21.0 A/12.5 A
Starting Current	52.0 A/46.2 A	52.0 A/46.2 A
Line Cord	8' Cord	8' Cord

## Side Mounting DTS Series

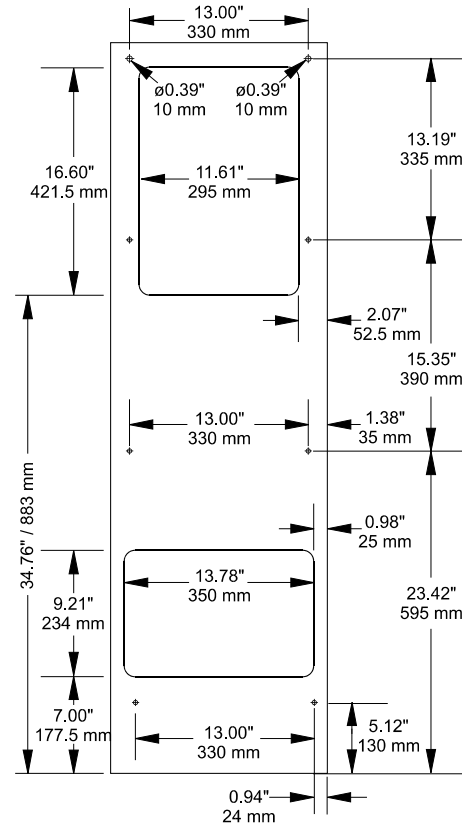
### 8000 & 12000 BTU/H

*Climate Control*


**Front View**



**Side View**



**Drilling Template**

Refrigeration Data	DTS8000A115LG DTS8000A230LG	DTS12000A115LG DTS12000A230LG
Rated Capacity	8,000 BTU/H (2,340 Watts)	12,000 BTU/H (3,500 Watts)
Type of Refrigeration	R134a	R134a
Refrigerant Charge	750 g	850 g
Adjustable Set Points	Factory setting +95°F (+35°C)	Factory setting +95°F (+35°C)
Max. Ambient Air Temp.	+125°F (+52°C)	+125°F (+52°C)
Min. Ambient Air Temp.	+46°F (+8°C)	+46°F (+8°C)
Air Capacity (unrestricted)	Internal Circulation 450 CFM External Circulation 589 CFM	Internal Circulation 530 CFM External Circulation 589 CFM
Condensate Discharge	Condensate Evaporator	Condensate Evaporator
Filter Mat	150 g/ m <sup>2</sup>	150 g/ m <sup>2</sup>
Db Noise Level	≤ 69 dB(A)	≤ 69 dB(A)
Unit Weight	160 lbs (72 kg)	165 lbs (75 kg)
Exterior Case	Galvanized sheet steel	Galvanized sheet steel
Color	RAL7035 Light Grey powder finish	RAL7035 Light Grey powder finish
NEMA Rating	Enclosures IP 54/NEMA 12	Enclosures IP 54/NEMA 12



# Top Mounting DTT Series

## 4500 BTU/H



### Standards

- Maintains NEMA 12 rating
- IP 54
- UR, cUR, CE

### Features

- R134a refrigerant.
- Thermostat control.
- Expansion valve increases efficiency with improved evaporator heat transfer and less frequent compressor operation.
- Built in condensate evaporator.
- Continuous air circulation from high capacity fans.
- EMI/RFI suppression meets CE.
- Line cord with plug (115 V).
- Washable filter mat protected within an easily removable grill.

- Gasket, mounting kit and template for cutout and drilling are included.
- Condensate drain hose and clamp.
- Volt free contact for high pressure failure.
- Exterior case easily removable for resetting thermostat and field service.
- Can accommodate crane hooks to assist installation.
- Versatile design maintains foot print through the series.

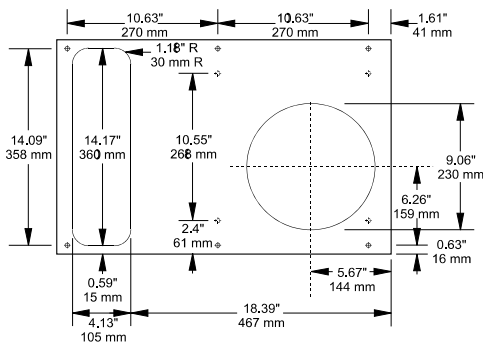
### Description

- Designed for top mounting where space limitations do not allow side mounting on the enclosure surface.
- Closed loop cooling ensures clean enclosure air is recirculated without ever mixing with contaminated ambient air.

### Accessories

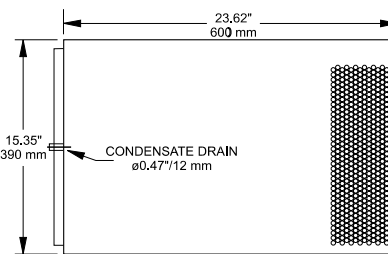
- Gaskets
- Lifting lugs
- Remote door switch
- Replacement filters
- Replacement grill

Climate Control

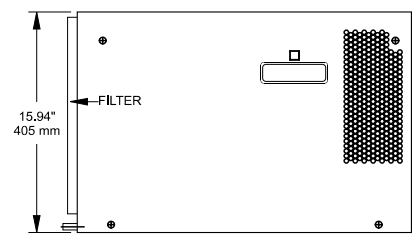


Drilling for cabinets with 15.75" depth only.

### Drilling Template



Top View



Side View

Part Number	Ship Wt. lbs.
DTT4500A115LG	95
DTT4500A230LG	95

### Technical Data

Electrical Data	DTT4500A115LG	DTT4500A230LG
Rated Voltage	115 V 60 Hz 100 V 50 Hz	230V 50/60 Hz
Range of Operation	103-127 V	207-253 V
Power Consumption	630 W	840 W
Running Amps	7.7 A	5.2 A
Starting Current	24.9 A	18.5 A
Line Cord	With plug	Without plug

### Refrigeration Data

Rated Capacity	4,500 BTU/H (1,300 Watts)
Type of Refrigerant	R134a
Refrigerant Charge	480 g
Adjustable Thermostat	Factory setting +95°F (+35°C)
Max. Ambient Air Temp.	+125°F (+52°C)
Min. Ambient Air Temp.	+46°F (+8°C)
Air Capacity (unrestricted)	Internal Circulation 547 CFM External Circulation 547 CFM
Condensate Discharge	Condensate evaporator
Filter Mat	150 g/m <sup>2</sup>
Db Noise Level	≤ 66 dB(A)
Unit Weight	90 lbs (41 kg)
Exterior Case	Galvanized sheet steel
Color	RAL7035 beige powder finish
NEMA Rating	Enclosures IP 54/NEMA 12

# Side Mounting DTS Series

16,000 BTU/H



Climate Control



## Description

- Designed for side mounting on any enclosure surface where high capacity system cooling is required.
- Closed loop cooling ensures clean enclosure air is recirculated without ever mixing with contaminated ambient air.

## Standards

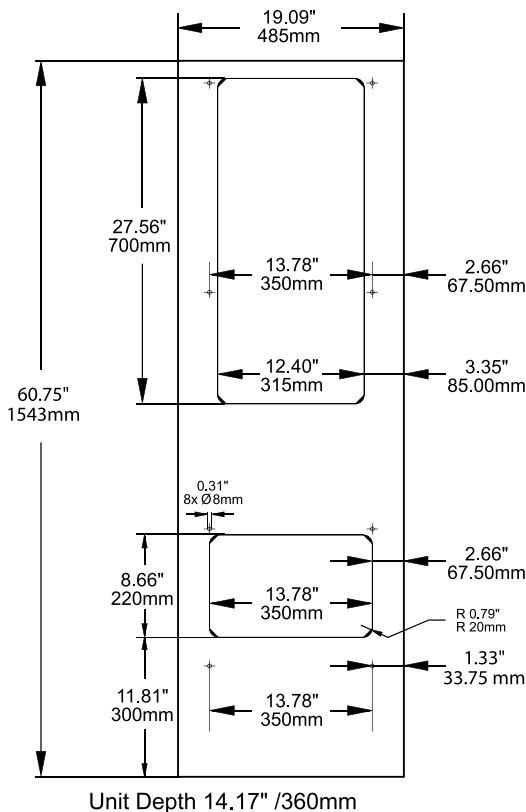
- Maintains enclosure's NEMA 12 rating
- IP 54
- UR, cUR and CE

## Features

- R134a refrigerant.
- Thermostat control accessible from inside enclosure.
- Expansion valve increases efficiency with improved evaporator heat transfer and less frequent compressor operation.
- Direct condensate discharge via drain hose.
- Continuous air circulation from high capacity fans.
- EMI/RFI suppression meets CE.
- Self-diagnostics on startup.
- Fault indication via LED light.
- Door contact for power down when enclosure door is opened.
- Gasket, mounting kit and template for cutout and drilling are included.
- Condensate drain hose and clamp.

## Accessories

- Gaskets
- Lifting lugs
- Remote door switch



## Drilling Template

Part Number	Ship Wt. lbs
DTS9841A460LG	210

## Technical Data

Electrical Data	DTS9841A460LG
Rated Voltage	460v 60Hz 3 phase
Range of Operation	380v 50Hz / 460v 60Hz
Power Consumption	1891W / 2336W
Running Amps	4.2A / 3.6A
Starting Current	28.3A / 25.2A
Line Cord	Terminal Block

## Refrigeration Data

Rated Capacity	16,000 BTU/H (4,000 Watts)
Type of Refrigerant	R134a
Refrigerant Charge	2,100 g
Adjustable Set Points	Factory setting +95°F (+35°C)
Max. Ambient Air Temp.	+131°F (+55°C)
Min. Ambient Air Temp.	+59°F (+15°C)
Air Capacity (unrestricted)	Internal Circulation 882 CFM External Circulation 1,076 CFM
Condensate Discharge	Condensate Drain
Filter Mat	Filterless
Db Noise Level	≤ 70 dB(A)
Unit Weight	200 lbs (91 kg)
Exterior Case	Galvanized sheet steel
Finish	RAL7035 light grey finish
NEMA Rating	Enclosures IP 54/NEMA 12

## Air Conditioner Accessories

### Neoprene Gasket Kit

- Replacement for standard supplied gasket.
- Self-adhesive cellular neoprene gasket.
- Supplied in 10 foot rolls, 0.19"x0.75".
- For side mount units greater than 3500 BTU/H, two gasket kits are required.

Part No. **1481DJ10**

### Replacement Grill

- Replacement grill for air conditioners.
- Packaged individually.

Black Part No.	RAL 7032 Beige Part No.	Use with Air Conditioner
<b>PG3BK</b>	<b>PG3RAL</b>	DTS1200 - DTS3500
<b>PG5BK</b>	<b>PG5RAL</b>	DTS8000 - DTS12000
<b>n/a</b>	<b>AFF1</b>	DTT4500

Climate Control

### Replacement Filters

- Packaged in quantities of 5.
- Made of synthetic fibers.
- Re-usable up to 20 times.
- 100% resistant to humidity.
- Filters have a mass filtering level of 67%.

Part No.	Dimensions		Use With Air Conditioner	Filter Density (g/m <sup>2</sup> )
	A	B		
<b>DTSF3150</b>	inch mm	8.30 210	8.30 210	DTS1200 - DTS6000 150
<b>DTSF5150</b>	inch mm	11.00 280	11.00 280	DTS8000 - DTS12000 150
<b>DTTF5150</b>	inch mm	11.81 300	11.81 300	DTT4500 150

### Remote Door Switch

- Permits convenient door activated on-off function of air conditioners. Mounts to flange of any Hammond enclosure.
- Can be wired normally open or normally closed.
- 115/230 V AC

Part No. **FLKDS**



### Lifting Lugs

- Packaged in quantities of 2.
- Used for lifting, transporting and installation of air conditioners.
- 8 mm diameter.
- For use with DTS3500 - DTS12000 and DTT4500.

Part No. **LL8**

### Water Condensate Evaporator



- High performance evaporation kit
- Easy to retrofit on any cooling unit

Part No. **KVDTX**

Technical Data	
Max. Water Volume	13.5 oz (400 ml)
Evaporation Rate	3.4 oz/hr (100 ml/hr)
Electrical Data	
Voltage(s)	230v / 115v
Frequency	50/60 Hz
Voltage Range	100-240v
Max. Power	125 W
Power Range	20-110 W
Nominal Current	0.5 A (230v) / 0.8 A (115v)
Starting Current	1.3 A
Zero Water Current	0.09 A (230v) / 0.18 A (115v)
Mechanical Data	
Height x Width x Depth	3.35" x 10.35" x 4.00" (85 x 263 x 102 mm)
Finish	Stainless Steel
Weight	2.6 lbs (1.175 Kg)

Technical references and DXF downloads available at [www.hamcfg.com](http://www.hamcfg.com)

All dimensions in inches unless specified otherwise

# Side Mounting DTS Series - NEMA 3R, 4, 4X

## 2000 BTU/H - Stainless Steel



### Description

- Compact design for side mounting on any enclosure surface where spot cooling or low capacity cooling is required.
- Closed loop cooling ensures clean enclosure air is recirculated without ever mixing with contaminated ambient air.
- Ideal for outdoor or very wet conditions.

### Standards

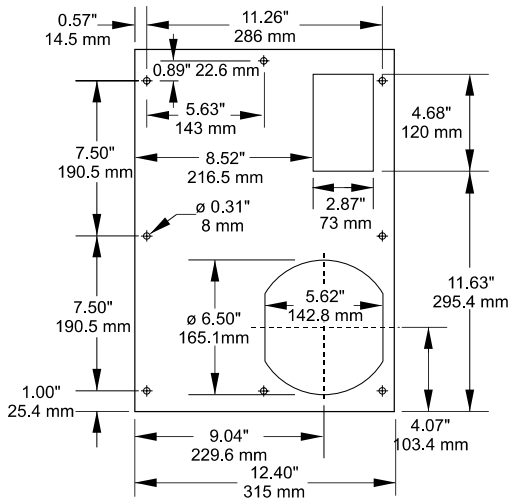
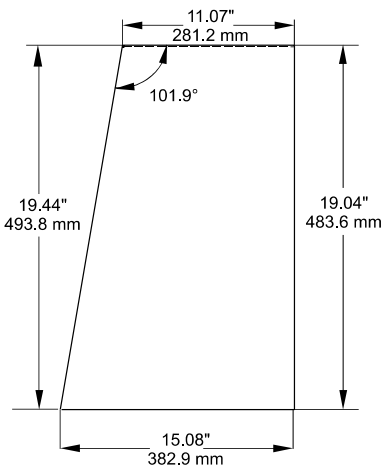
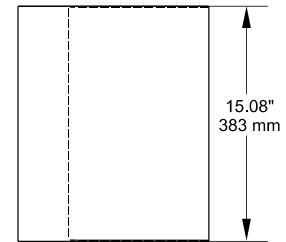
- UR, cUR, and CE
- Complies with
  - NEMA 3R, 4, 4X

### Features

- Stainless steel body.
- R134a refrigerant.
- Thermostat control.
- Line cord with plug (115 V).
- Aluminum filter for easy cleaning.
- Expansion valve permits increased efficiency through improved evaporator heat transfer and less frequent compressor operation.
- Built in condensate evaporator.
- Continuous air circulation from high capacity fans.
- EMI/RFI suppression meets CE standard.
- Gasket, mounting kit, and template for cutout and drilling are included.
- Condensate drain hose and clamp.
- Q Mount allows unit to hang in place for easy installation.



Climate Control


**Drilling Template**

**Side View**

**Top View**

Part Number	Ship Wt. lbs.
DTS2000A115N4SS	75
DTS2000A230N4SS	75

### Technical Data

Electrical Data	DTS2000A115N4SS	DTS2000A230N4SS
Rated Voltage	115 V 60 Hz	230 V 50/60 Hz
	110 V 50 Hz	
Range of Operation	103-127 V	198-253 V
Power Consumption	230 W	230 W
Running Amps	2.9 A	1.3 A
Starting Current	13.8 A	7.4 A
Line Cord	With plug	Without plug

Refrigeration Data	
Rated Capacity	2,000 BTU/H (580 Watts)
Type of Refrigerant	R134a
Refrigerant Charge	300 g
Adjustable Thermostat	Factory setting +95°F (+35°C)
Max. Ambient Air Temp.	+125°F (+52°C)
Min. Ambient Air Temp.	+46°F (+8°C)
Air Capacity (unrestricted)	Internal Circulation 230 CFM External Circulation 230 CFM
Condensate Discharge	Condensate evaporator
Filter Mat	Aluminum metal mesh
Db Noise Level	≤ 62 dB(A)
Unit Weight	72 lbs (33 kg)
Exterior Case	304 Stainless steel
Color	Polish #3
NEMA Rating	3R, 4, 4X

# Side Mounting DTS Series - NEMA 3R, 4

## 4000 & 7500 BTU/H

Climate Control



4000 BTU/H Shown

### Description

- Designed for side mounting on any enclosure surface where high capacity system cooling is required.
- Closed loop cooling ensures clean enclosure air is recirculated without ever mixing with contaminated ambient air.
- Optimum air circulation with maximum clearance distance between warm inlet and cold outlet for reduced hot spot locations.

### Standards

- UR, cUR, and CE
- Complies with
  - NEMA 3R, 4

### Features

- R134a refrigerant.
  - Thermostat control accessible from inside enclosure.
  - Expansion valve prevents evaporator freeze up while minimizing heavy inrush currents on large BTU/H units.
  - Built in condensate evaporator.
  - Continuous air circulation from high capacity fans.
  - EMI/RFI suppression meets CE.
  - Self-diagnostics on startup.
  - Fault indication via LED light.
  - Provision for door contact allowing power down when enclosure door is opened.
  - Gasket, mounting kit and template for enclosure cutout and drilling are included.
  - Condensate drain hose and clamp provided.
  - Q Mount allows unit to hang in place for easy installation.
- Nema 3R/4 exterior galvanized sheet steel with powdercoat finish.



### Accessories

- Gaskets
- Lifting lugs
- Remote door switch

Part Number	Ship Wt. lbs.
DTS3161A115N3LG	104
DTS3161A230N3LG	104
DTS3261A115N3LG	129
DTS3261A230N3LG	129

### Technical Data

Electrical Data	DTS3161A115N3LG	DTS3161A230N3LG	DTS3261A115N3LG	DTS3261A230N3LG
<b>Rated Voltage</b>	115 V 60 Hz	230 V 50/60 Hz	115 V 60 Hz	230 V 50/60 Hz
<b>Range of Operation</b>	103-127 V	198-252 V	103-127 V	198-252 V
<b>Power Consumption</b>	950 W	860 W	1800 W	1800 W
<b>Running Amps</b>	7.2 A	4 A	14.6 A	6.3 A
<b>Starting Current</b>	17.1 A	9.3 A	26.8 A	16.5 A
<b>Line Cord</b>	Terminal Block	Terminal Block	Terminal Block	Terminal Block

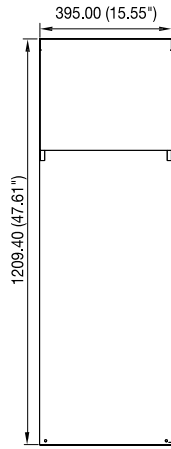
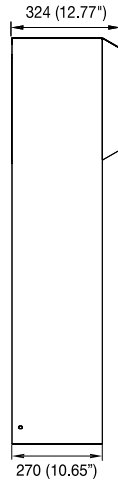
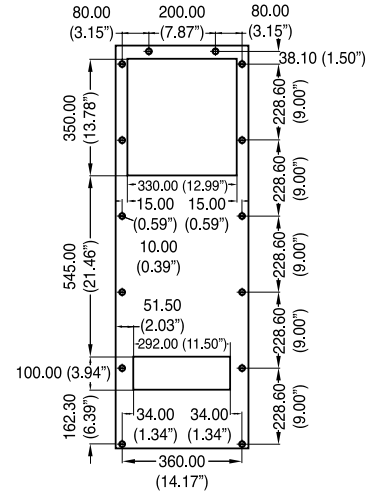
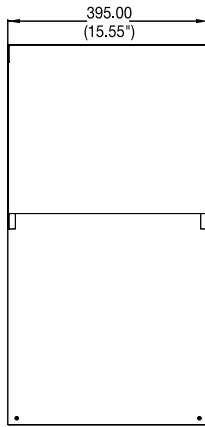
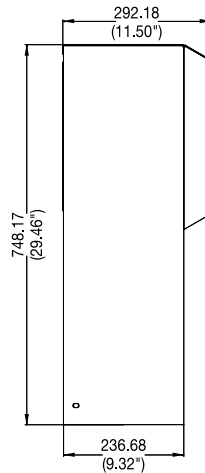
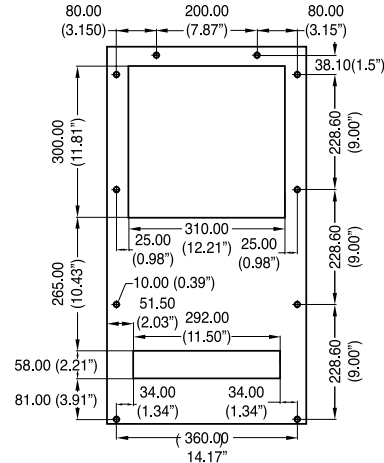
Technical references and DXF downloads available at [www.hammmfg.com](http://www.hammmfg.com)

All dimensions in inches unless specified otherwise

# Side Mounting DTS Series - NEMA 3R, 4

## 4000 & 7500 BTU/H

Climate Control

**DTS 3261**

**Front View**

**Side View**

**Drilling Template**
**DTS 3262**

**Front View**

**Side View**

**Drilling Template**

Refrigeration Data	DTS3161A115/230N3LG	DTS3261A115/230N3LG
Rated Capacity	4,000 BTU/H (1,172 Watts)	7,500 BTU/H (2,197 Watts)
Type of Refrigeration	R134a	R134a
Refrigerant Charge	500 g	500 g
Adjustable Thermostat	Factory setting +95°F (+35°C)	Factory setting +95°F (+35°C)
Max. Ambient Air Temp.	+125°F (+52°C)	+125°F (+52°C)
Min. Ambient Air Temp.	+46°F (+8°C)	+46°F (+8°C)
Air Capacity (unrestricted)	Internal Circulation 350 CFM External Circulation 350 CFM	Internal Circulation 580 CFM External Circulation 580 CFM
Condensate Discharge	Condensate Evaporator	Condensate evaporator
Filter Mat	150 g/m <sup>2</sup>	150 g/m <sup>2</sup>
Db Noise Level	≤ 70 dB(A)	≤ 73 dB(A)
Unit Weight	84 lbs (38 kg)	120 lbs (46 kg)
Exterior Case	Galvanized Steel Powdercoat Finish	Galvanized Steel Powdercoat Finish
Color	RAL7035 Light Grey powder finish (LG)	RAL7035 Light Grey powder finish (LG)
NEMA Rating	Enclosures IP56 /NEMA 3R/4	Enclosures IP56 /NEMA 3R/4

# Side Mounting DTS Series - NEMA 3R, 4, 4X

## 4000 & 7500 BTU/H - Stainless Steel



Climate Control



Light Grey 4000 BTU/H Shown

maximum clearance distance between warm inlet and cold outlet for reduced hot spot locations.

### Standards

- UR, cUR, and CE
- Complies with
  - NEMA 3R, 4, 4X

- Built in condensate evaporator.
- Continuous air circulation from high capacity fans.
- EMI/RFI suppression meets CE.
- Self-diagnostics on startup.
- Fault indication via LED light.
- Provision for door contact allowing power down when enclosure door is opened.
- Gasket, mounting kit and template for enclosure cutout and drilling are included.
- Condensate drain hose and clamp provided.
- Q Mount allows unit to hang in place for easy installation.
- Nema 4/4x exterior 304 stainless steel.

### Description

- Designed for side mounting on any enclosure surface where high capacity system cooling is required.
- Closed loop cooling ensures clean enclosure air is recirculated without ever mixing with contaminated ambient air.
- Optimum air circulation with

### Features

- R134a refrigerant.
- Thermostat control accessible from inside enclosure.
- Expansion valve prevents evaporator freeze up while minimizing heavy inrush currents on large BTU/H units.

### Accessories

- Gaskets
- Lifting lugs
- Remote door switch

Part Number	Ship Wt. lbs.
DTS3181A115N4SS	107
DTS3181A230N4SS	107
DTS3281A115N4SS	144
DTS3281A230N4SS	144

### Technical Data

Electrical Data	DTS3181A115N4SS	DTS3181A230N4SS	DTS3281A115N4SS	DTS3281A230N4SS
<b>Rated Voltage</b>	115 V 60 Hz	230 V 50/60 Hz	115 V 60 Hz	230 V 50/60 Hz
<b>Range of Operation</b>	103-127 V	198-252 V	103-127 V	198-252 V
<b>Power Consumption</b>	950 W	860 W	1800 W	1800 W
<b>Running Amps</b>	7.2 A	4 A	14.6 A	6.3 A
<b>Starting Current</b>	17.1 A	9.3 A	26.8 A	16.5 A
<b>Line Cord</b>	Terminal Block	Terminal Block	Terminal Block	Terminal Block

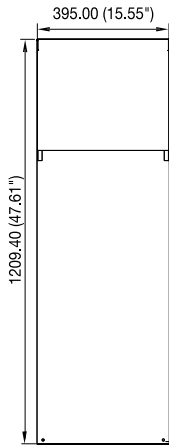
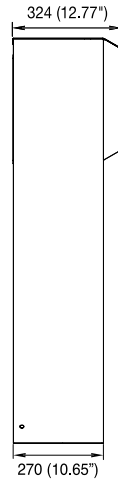
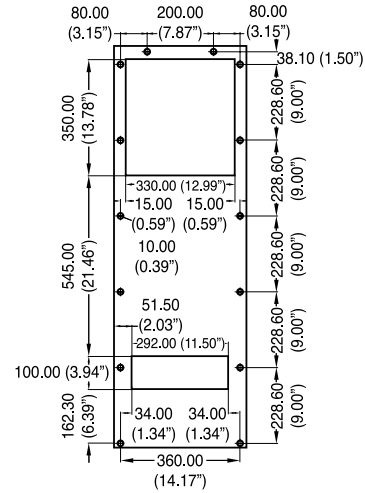
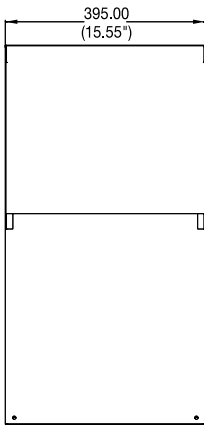
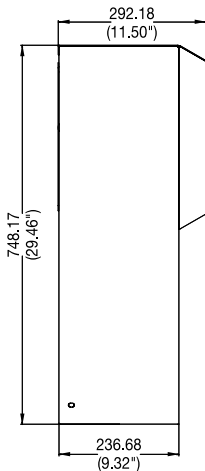
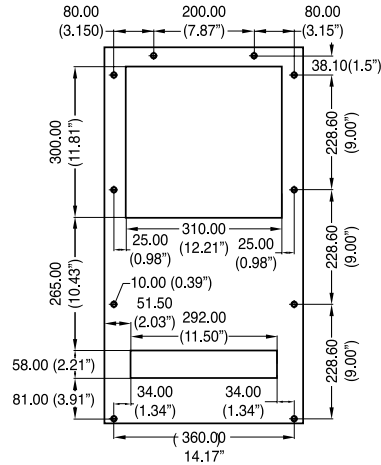
Technical references and DXF downloads available at [www.hamcfg.com](http://www.hamcfg.com)

All dimensions in inches unless specified otherwise

# Side Mounting DTS Series - NEMA 3R, 4, 4X

## 4000 & 7500 BTU/H - Stainless Steel

Climate Control

**DTS3281**

**Front View**

**Side View**

**Drilling Template**
**DTS3281**

**Front View**

**Side View**

**Drilling Template**

Refrigeration Data	DTS3181A115/230N4SS	DTS3281A115/230N4SS
Rated Capacity	4,000 BTU/H (1,172 Watts)	7,500 BTU/H (2,197 Watts)
Type of Refrigeration	R134a	R134a
Refrigerant Charge	500 g	500 g
Adjustable Thermostat	Factory setting +95°F (+35°C)	Factory setting +95°F (+35°C)
Max. Ambient Air Temp.	+125°F (+52°C)	+125°F (+52°C)
Min. Ambient Air Temp.	+46°F (+8°C)	+46°F (+8°C)
Air Capacity (unrestricted)	Internal Circulation 350 CFM External Circulation 350 CFM	Internal Circulation 580 CFM External Circulation 580 CFM
Condensate Discharge	Condensate Evaporator	Condensate evaporator
Filter Mat	150 g/m <sup>2</sup>	150 g/m <sup>2</sup>
Db Noise Level	≤ 70 dB(A)	≤ 73 dB(A)
Unit Weight	84 lbs (38 kg)	120 lbs (46 kg)
Exterior Case	304 Stainless Steel	304 Stainless Steel
Color	Natural	Natural
NEMA Rating	Enclosures IP56 /NEMA 3R/4x	Enclosures IP56 /NEMA 3R/4x