

FILTERFANS

PF 42500

- Airflow rate up to 94 CFM
- System of protection IP 55, NEMA type 12
- Cut-out dimensions: 223 x 223 mm



Available voltage ± 10%	115 V, 230 V, 24 VDC
Design (housing and protection against accidental contact)	made of injection-moulded thermo-plastic, self-extinguishing, UL 94 VO
Service life L ₁₀ (+ 40 °C)	42,500 h
Weight	2.6 lb
Color	RAL 7035 (Lt. Gray) RAL 9011 (Blk)
Noise level (EN ISO 3741)	43 dB (A)
Type of connection	spring-type terminal
Bearing type	ball bearing
Approvals	UL, cUL, CE, (on request: GOST)
Power consumption	17 W
Width x height x depth	9.92 x 9.92 x 4.05 in

System of protection (EN 60529)	IP 55
System of protection (UL 50)	NEMA Type 12 - fluted filter
Filter mat quality class	G 4
Unimpeded airflow	94 CFM
Airflow rate in combination (PF + PFA 40.000)	67 CFM
Filtration efficiency	91%
Part no. *	11642154055 (115 V, Lt. Gray)
Part no. *	11642154050 (115 V, Black)
Part no. Spare part filter mats (5 pieces)	18611600036
Part no. NEMA Type 3R Rainhood *	18102000016 (Lt. Gray)

PF 43000

- Airflow rate up to 155 CFM
- System of protection IP 55, NEMA type 12
- Cut-out dimensions: 223 x 223 mm



Available voltage ± 10%	115 V, 230 V, 24 VDC
Design (housing and protection against accidental contact)	made of injection-moulded thermo-plastic, self-extinguishing, UL 94 VO
Service life L ₁₀ (+ 40 °C)	40,000 h
Weight	3.68 lb
Color	RAL 7035 (Lt. Gray) RAL 9011 (Blk)
Noise level (EN ISO 3741)	46 dB (A)
Type of connection	spring-type terminal
Bearing type	ball bearing
Approvals	UL, cUL, CE, (on request: GOST)
Power consumption	40 W
Width x height x depth	9.92 x 9.92 x 4.69 in

System of protection (EN 60529)	IP 55
System of protection (UL 50)	NEMA Type 12 - fluted filter
Filter mat quality class	G 4
Unimpeded airflow	155 CFM
Airflow rate in combination (PF + PFA 40.000)	122 CFM
Filtration efficiency	91%
Part no. *	11642154055 (115 V, Lt. Gray)
Part no. *	11642154050 (115 V, Black)
Part no. Spare part filter mats (5 pieces)	18611600036
Part no. NEMA Type 3R Rainhood *	18102000016 (Lt. Gray)

PF 65000

- Airflow rate up to 297 CFM
- System of protection IP 55, NEMA type 12
- Cut-out dimensions: 291 x 291 mm



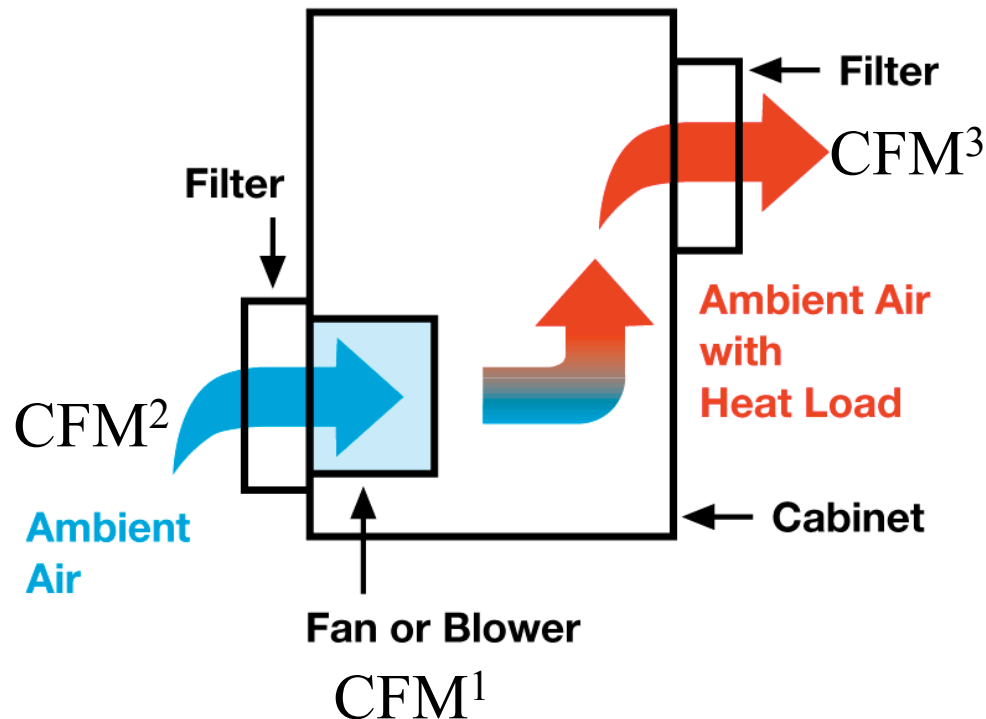
Available voltage ± 10%	115 V, 230 V
Design (housing and protection against accidental contact)	made of injection-moulded thermo-plastic, self-extinguishing, UL 94 VO
Service life L ₁₀ (+ 40 °C)	40,000 h
Weight	7 lb
Color	RAL 7035 (Lt. Gray) RAL 9011 (Blk)
Noise level (EN ISO 3741)	52 dB (A)
Type of connection	spring-type terminal
Bearing type	ball bearing
Approvals	UL, cUL, CE, (on request: GOST)
Power consumption	90 W
Width x height x depth	12.6 x 12.6 x 6.18 in

System of protection (EN 60529)	IP 55
System of protection (UL 50)	NEMA Type 12 - fluted filter
Filter mat quality class	G 4
Unimpeded airflow	297 CFM
Airflow rate in combination (PF + PFA 60.000)	224 CFM
Filtration efficiency	91%
Part no. *	11665154055 (115 V, Lt. Gray)
Part no. *	11665154050 (115 V, Black)
Part no. Spare part filter mats (5 pieces)	18611600037
Part no. NEMA Type 3R Rainhood *	18102000019 (Lt. Gray)

*Consult factory for additional options

“How to rate CFM of Filterfans”

Forced Convection Method Pressurizing



CFM¹ - Fan only rating

CFM² - Fan with filter & louvre rating (free flow)

CFM³ - System rating with exhaust (includes static pressure drop)

Model #	CFM ¹	CFM ²	CFM ³
PF 11000	36	17	11
PF 22000	105	38	28
PF 32000	105	65	38
PF 42500	121	94	67
PF 43000	224	169	142
PF 65000	489	297	230
PF 66000	1024	462	295
PF 67000	1250	560	368