



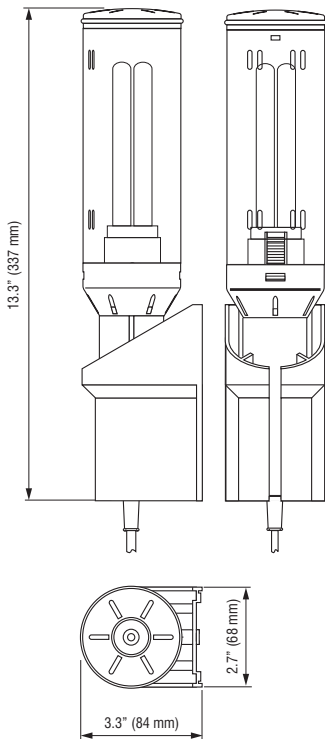
**Long-life energy saving lamp**

**Wall-mount lamp holder**



### Technical Data

<b>Power consumption</b>	20W (~ 100W incandescent bulb)
<b>Luminosity</b>	1000Lm
<b>Lamp type</b>	compact fluorescent, E27 base, electronic ballast
<b>Service life</b>	10,000 hrs.
<b>Connection</b>	integrated power cable (6 ft.) with US or Euro plug
<b>Housing</b>	plastic, UL 94V-0, light grey
<b>Mounting</b>	screws or self-adhesive mounting plate (included)
<b>Mounting position</b>	variable
<b>Operating temperature</b>	-4 to +122°F (-20 to +50°C)
<b>Storage temperature</b>	-49 to +158°F (-45 to +70°C)
<b>Weight</b>	approx. 1.3 lbs. (600g)
<b>Protection class</b>	II (double insulated)
<b>Protection type</b>	IP20



Part No.	Operating voltage	Plug type
02610.0-00	230VAC, 50/60Hz	Euro
02610.9-00	120VAC, 50/60Hz	US

Specifications are subject to change without notice. Suitability of this product for its intended use and any associated risks must be determined by the end customer/ buyer in its final application.